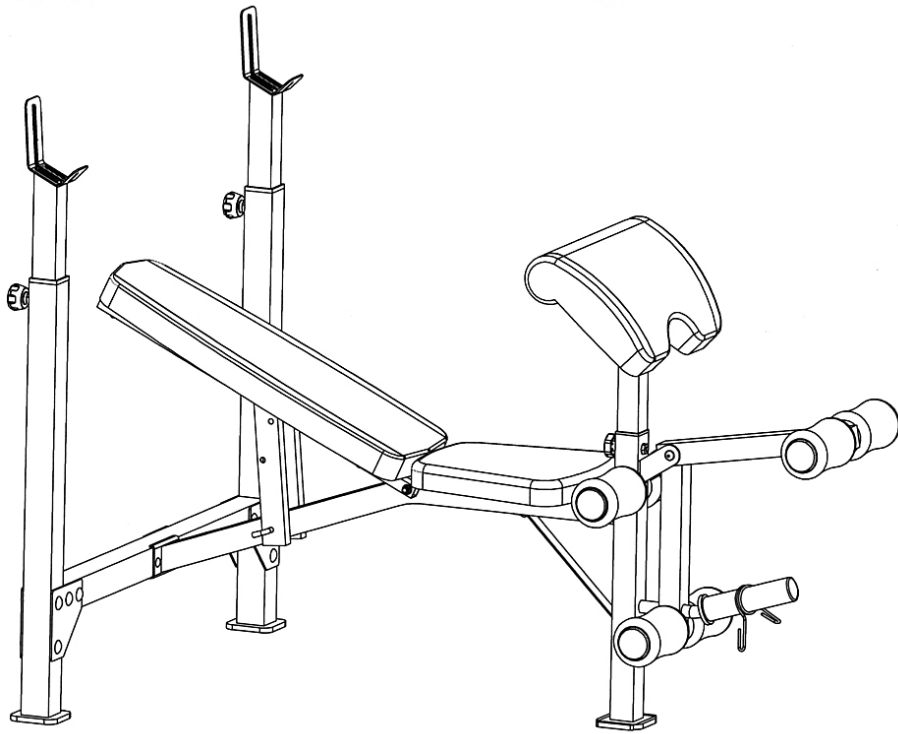


# MP EX

F I T N E S S P R O D U C T S

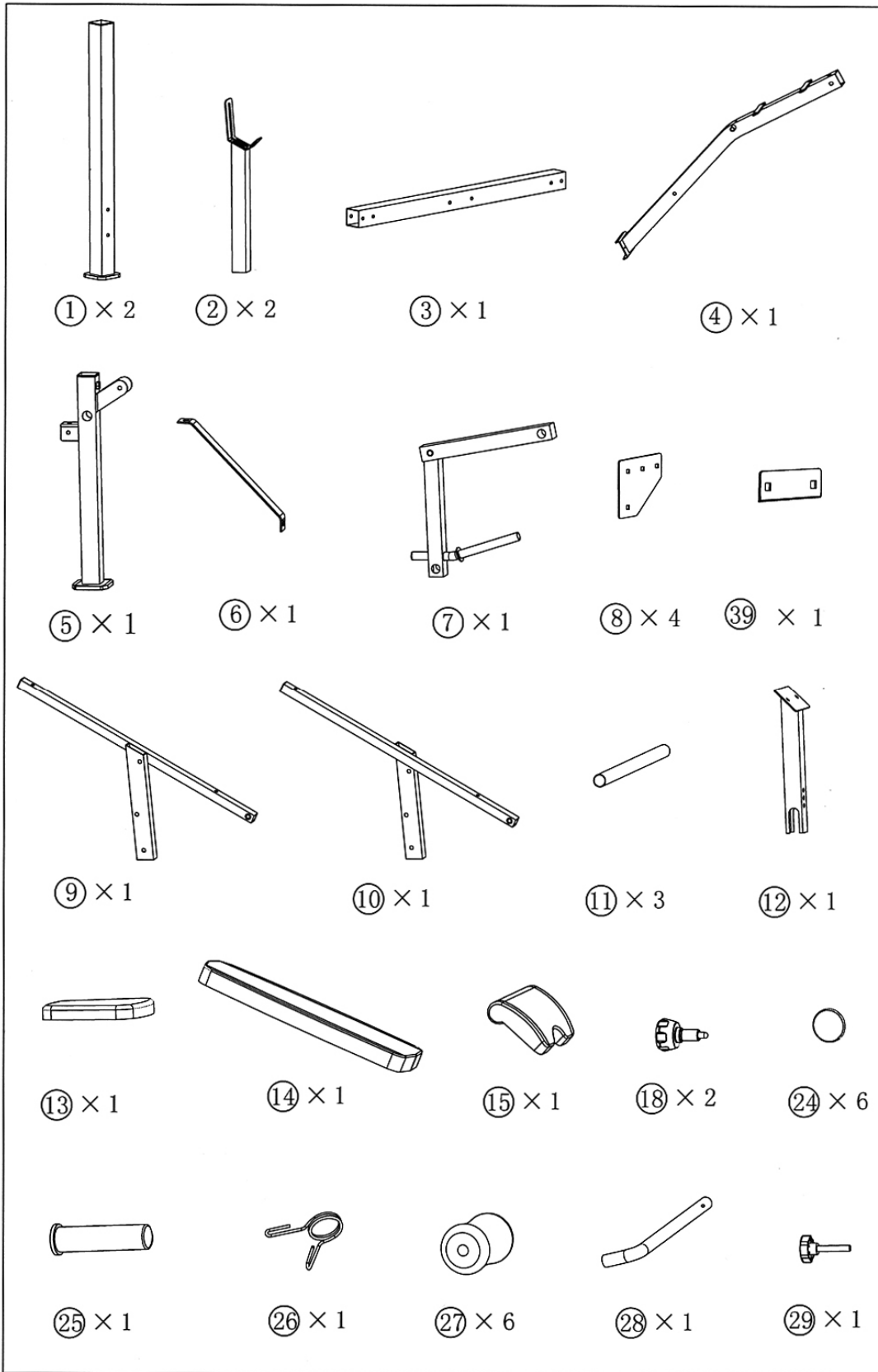
## MARCY CLUB OLYMPIC BENCH MKB-733

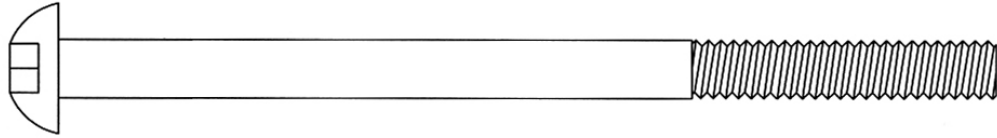


**IMPORTANT:** Please read the Important Safety Notice and Assembly Information in the Owner's manual before assembling this product.

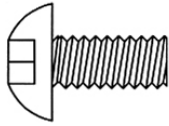
**Assembly Manual**

120529

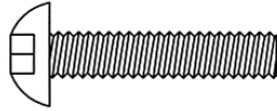




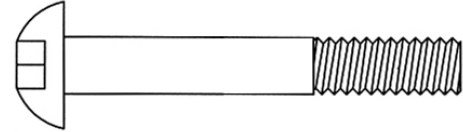
③⑩ × 1



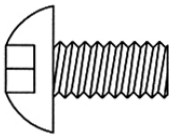
③① × 8



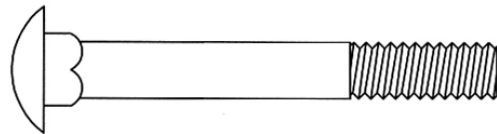
③② × 4



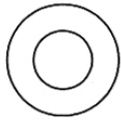
③③ × 1



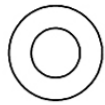
③④ × 3



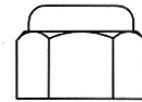
③⑤ × 10



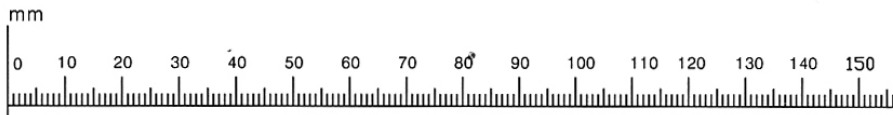
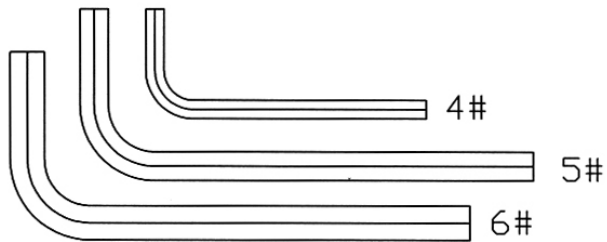
③⑥ × 17

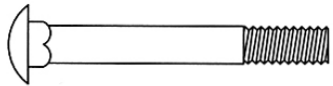
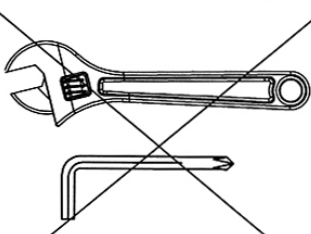




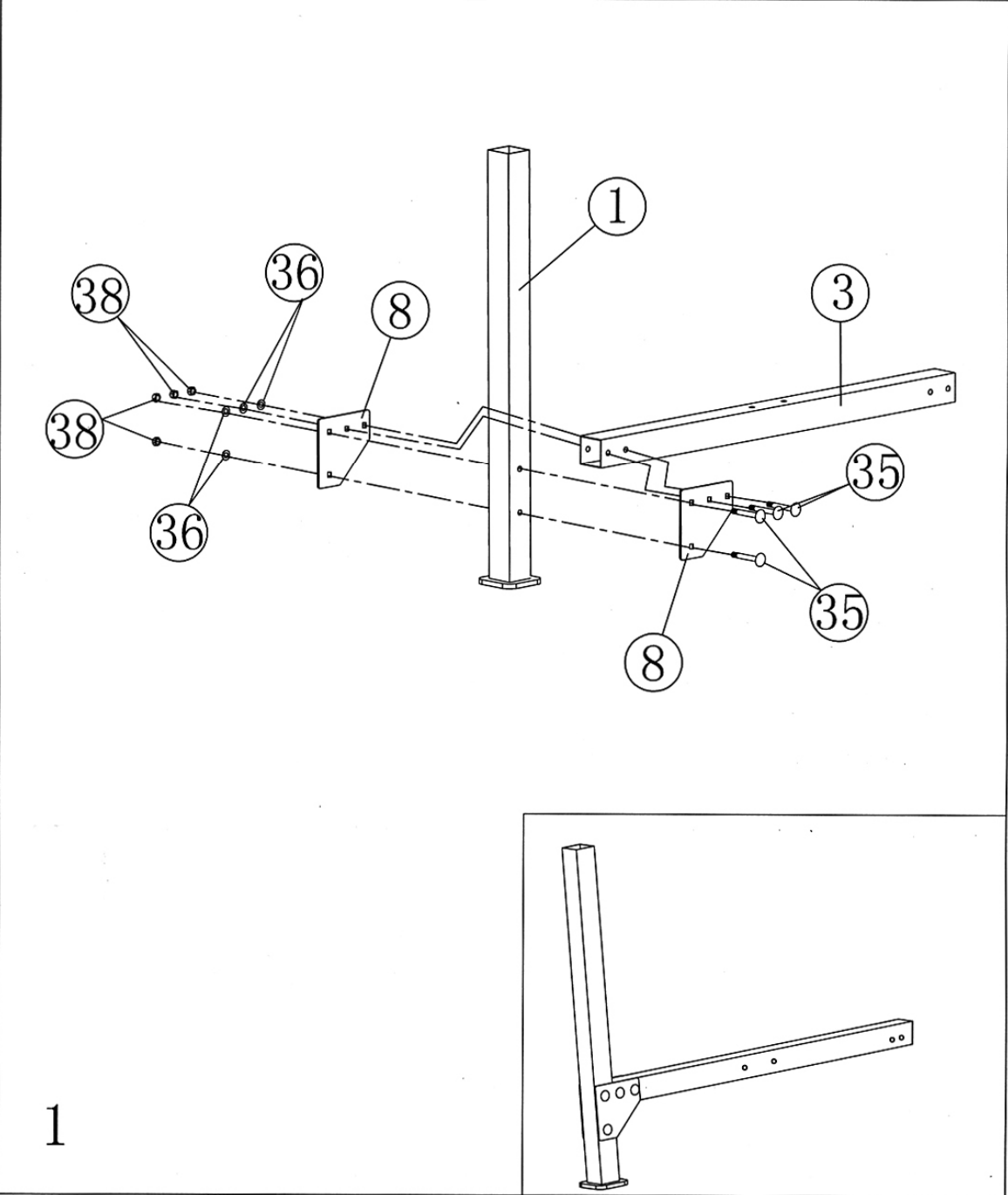
③⑦ × 12

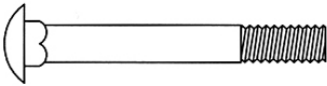
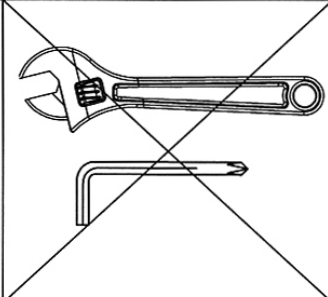




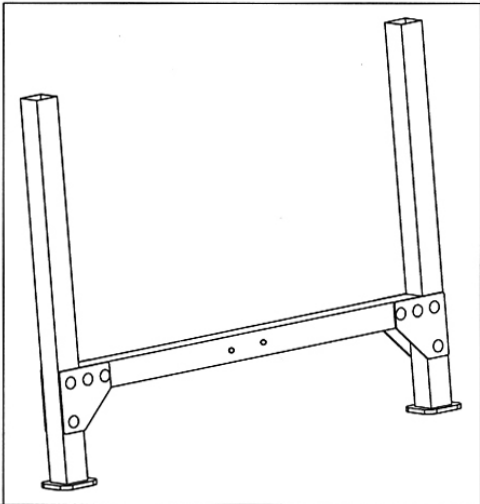
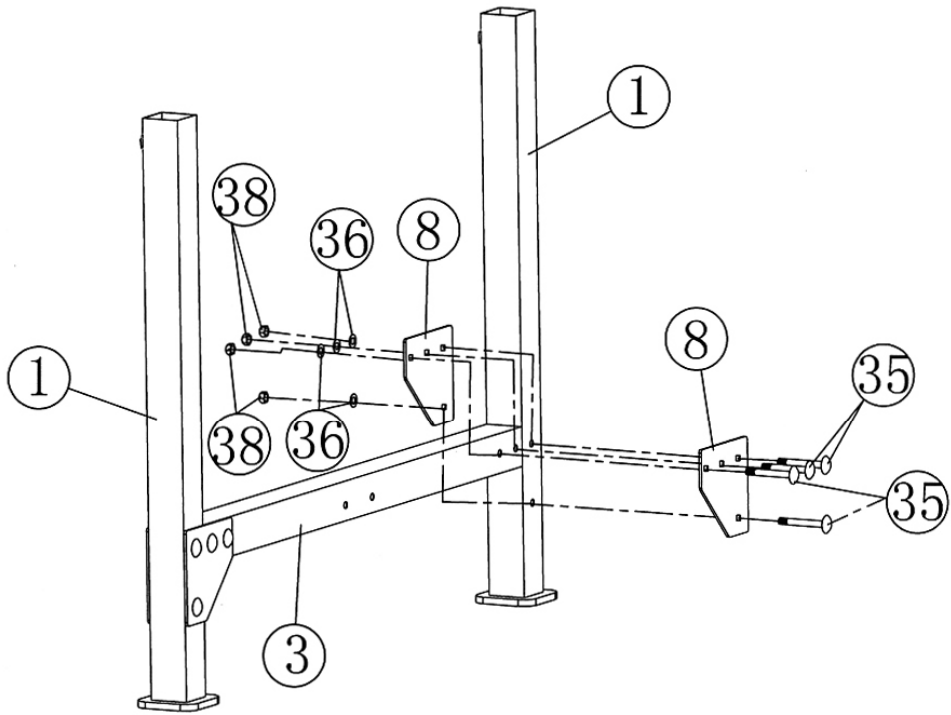
③⑧ × 12



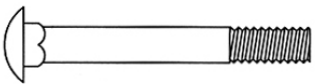
③⑤ × 4		M10x2 1/8"	
③⑥ × 4		Ø 3/4"	
③⑧ × 4		M10	



$\textcircled{35} \times 4$		M10x3 $\frac{1}{8}$ "	
$\textcircled{36} \times 4$		$\text{Ø } \frac{3}{4}$ "	
$\textcircled{38} \times 4$		M10	

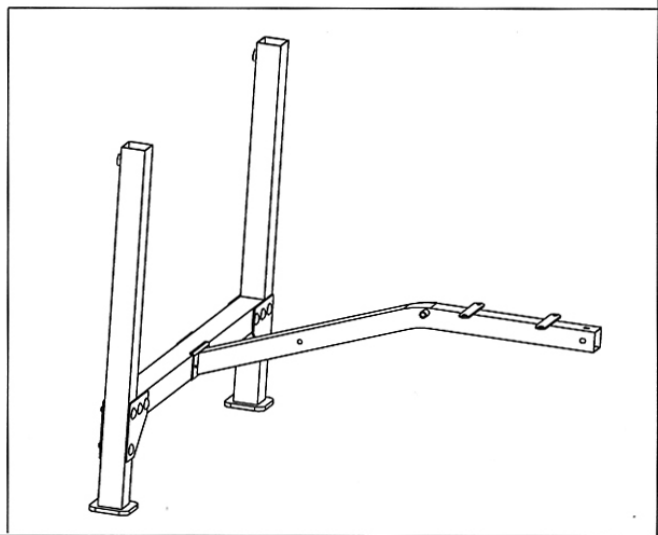
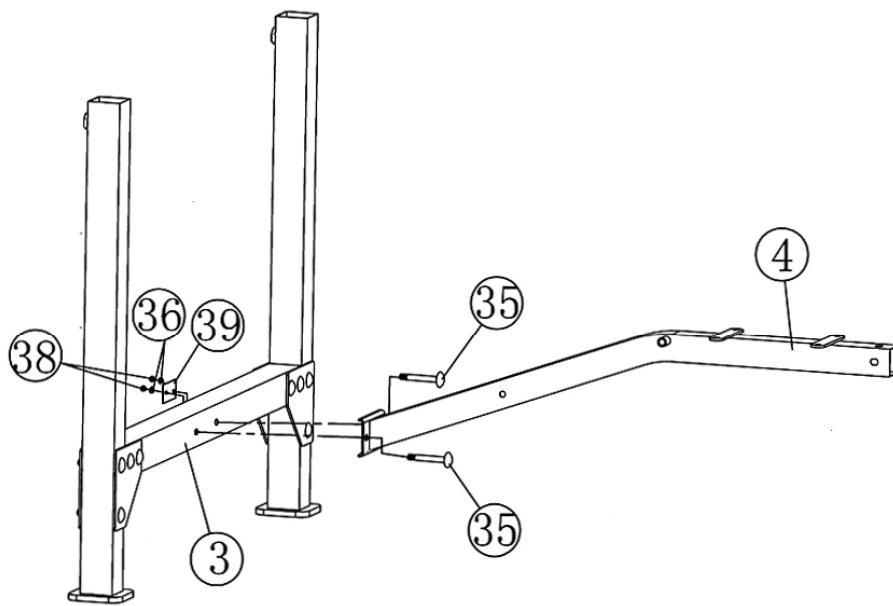
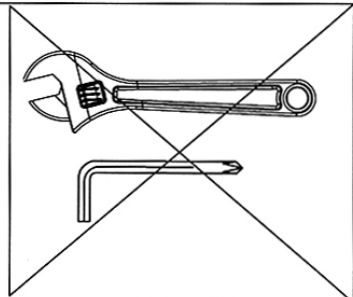


2

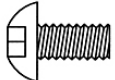
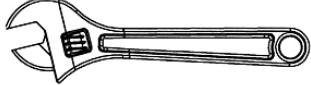
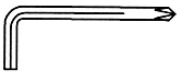
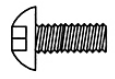
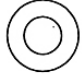

③⑤ × 2        M10x 3 1/8"

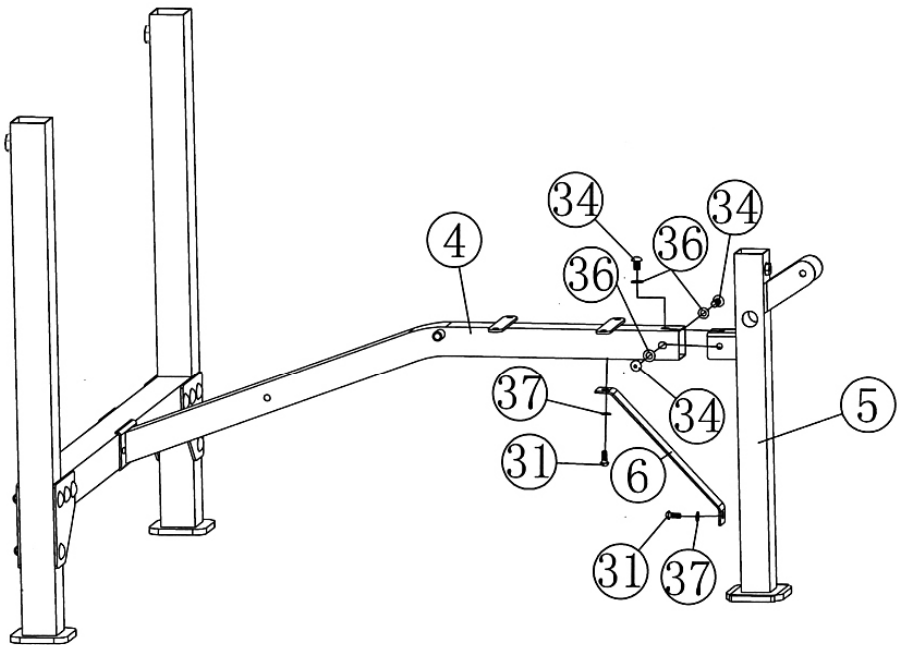
③⑥ × 2        Ø 3/4"

③⑧ × 2        M10

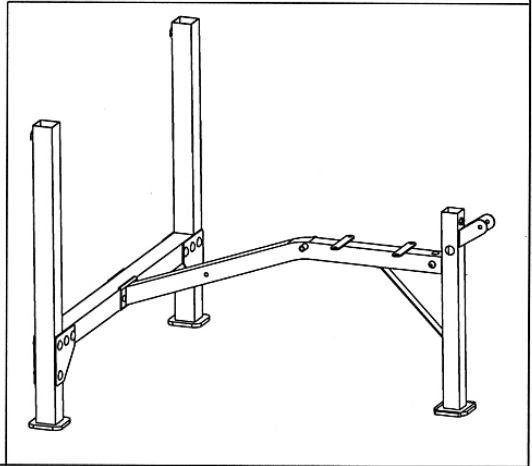


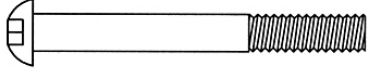
3


③④ × 3		M10x $\frac{3}{4}$ "	 
③① × 2		M8x $\frac{5}{8}$ "	
③⑥ × 3		Ø $\frac{3}{4}$ "	
③⑦ × 2		Ø $\frac{5}{8}$ "	



4

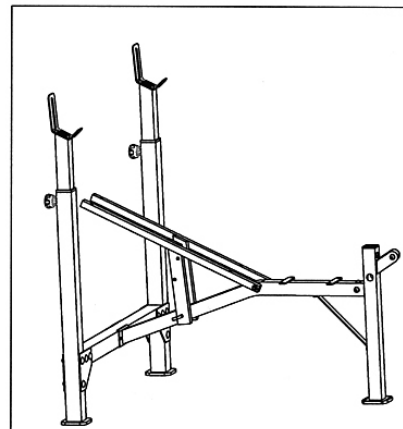
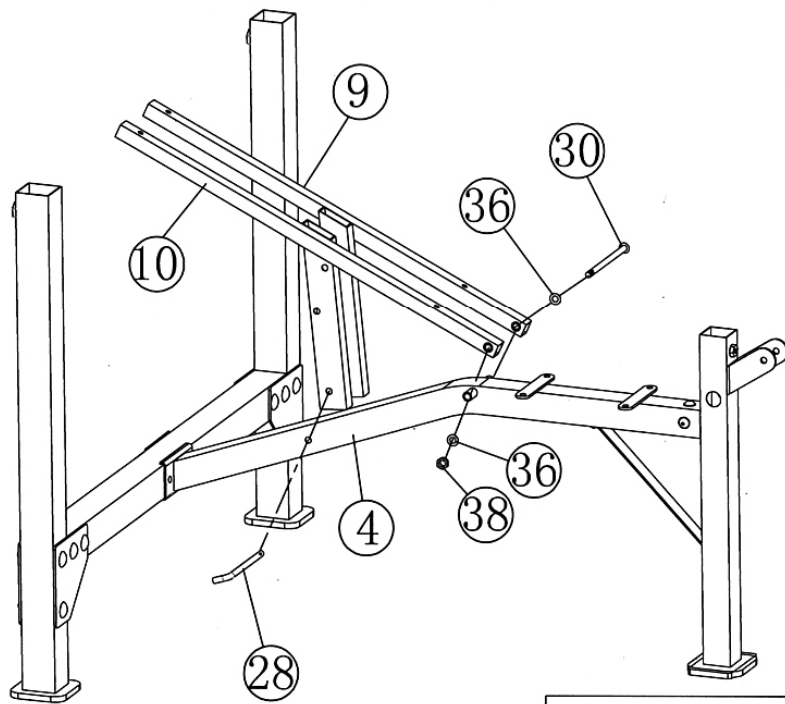
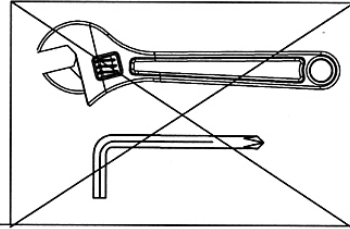


③① × 1  M10x6 1/2"

③⑧ × 1  M10

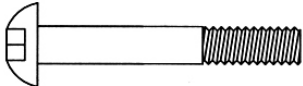


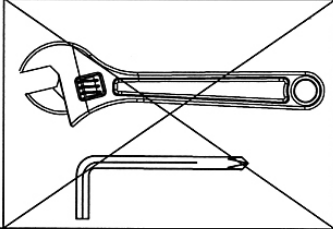

③⑥ × 2  Ø 3/4"

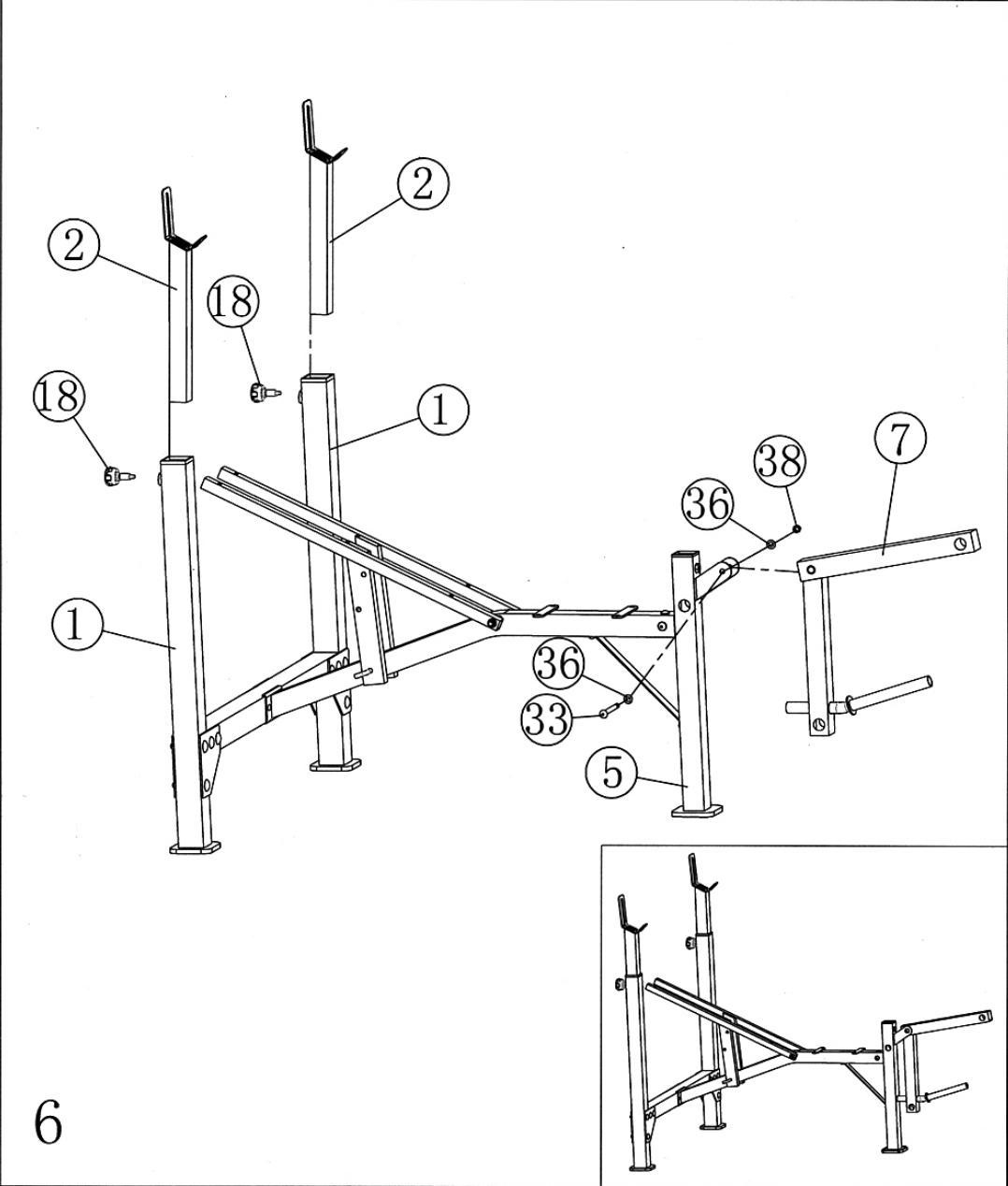
②⑧ × 1 

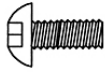


5



③③ × 1		M10x 2 3/4"	
③⑧ × 1		M10	
③⑥ × 2		Ø 3/4"	
①⑧ × 2		M18	

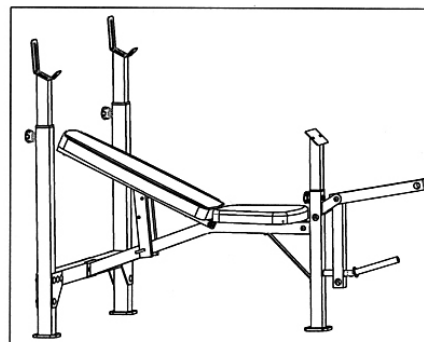
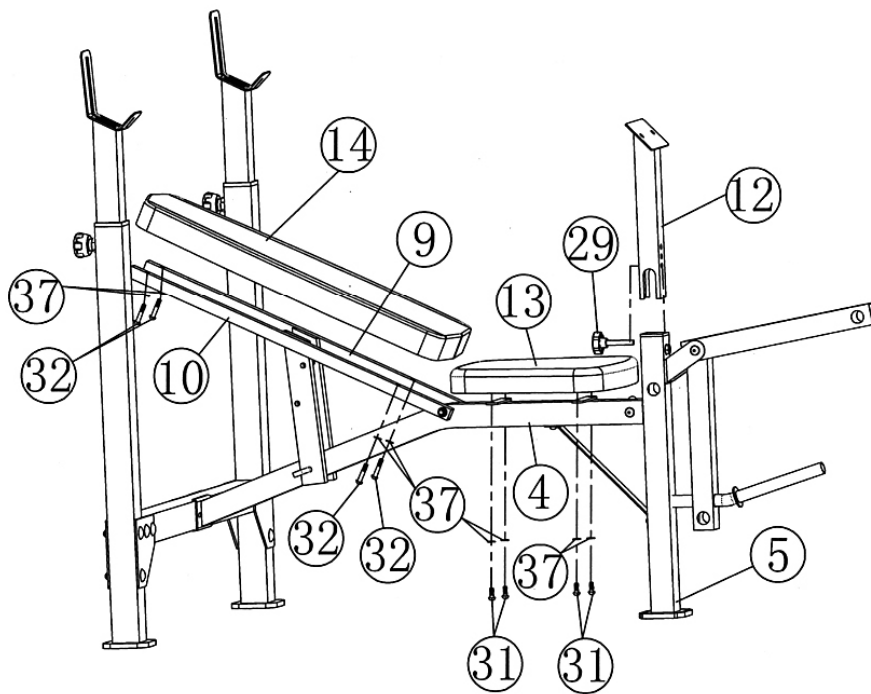
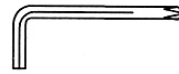
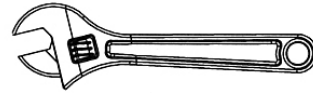


③① × 4        M8 x 3/4"

③⑦ × 8        Ø 5/8"

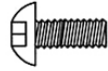
③② × 4        M8 x 1 5/8"

②⑨ × 1    



7

③① × 2

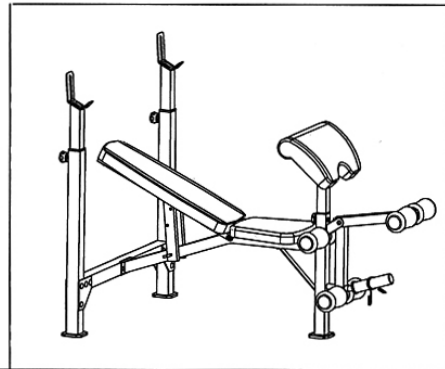
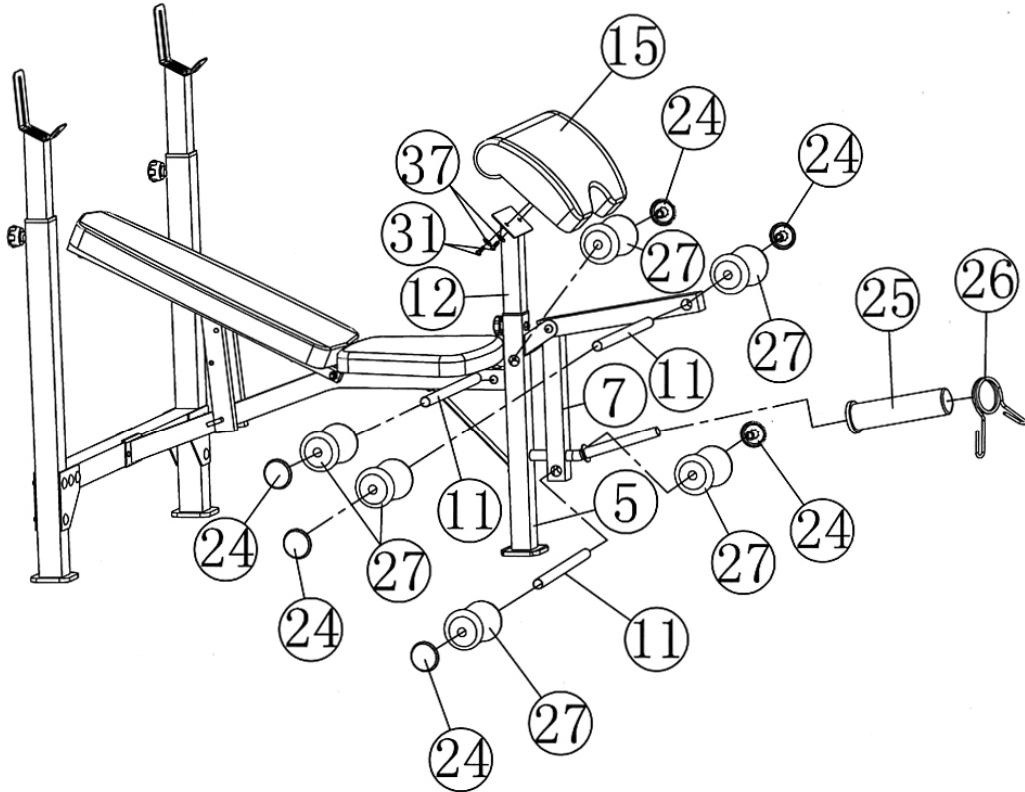
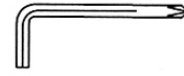
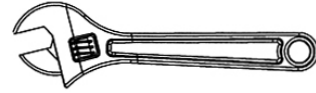


M8 x 3/4"

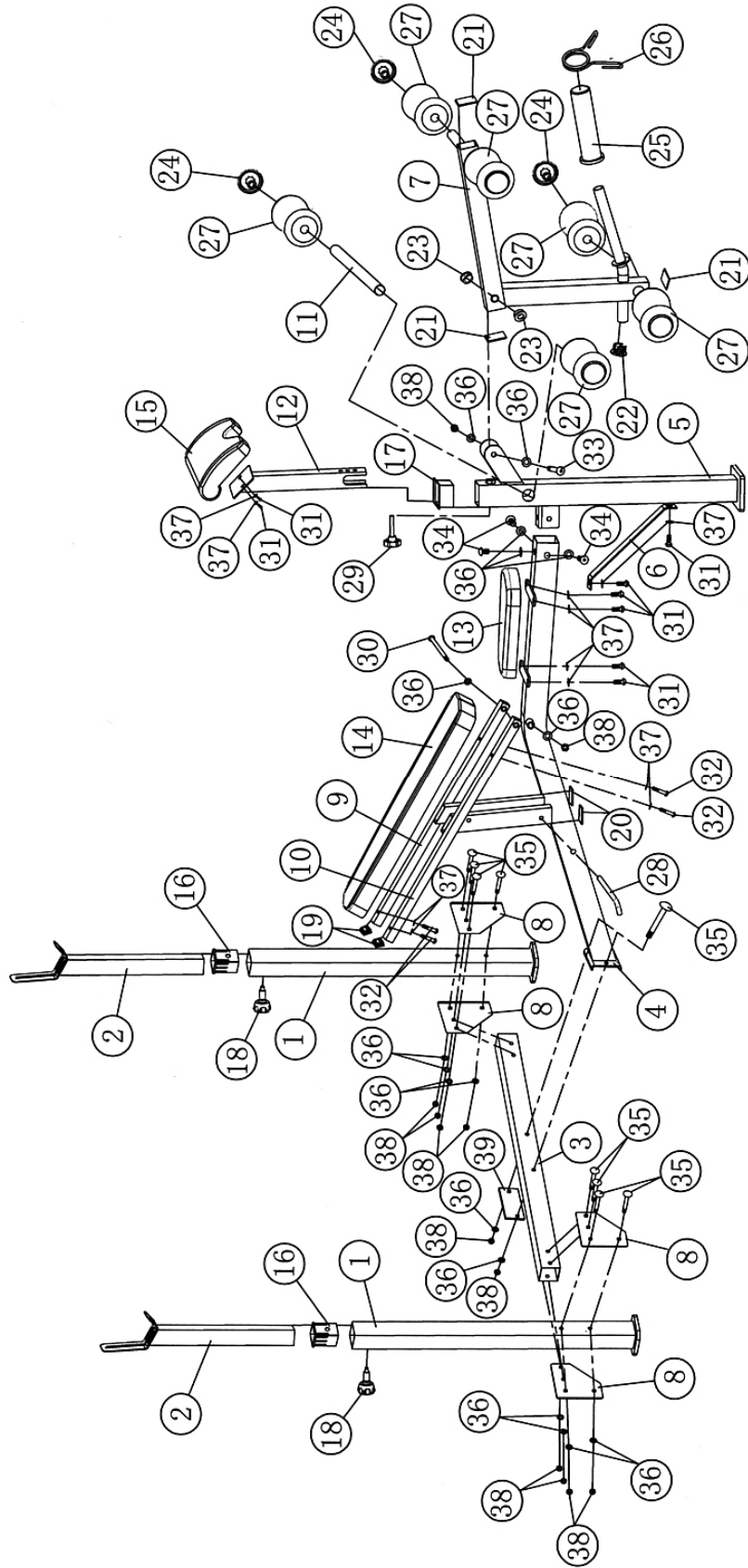
③⑦ × 2



∅ 5/8"



8



**IMPEX® INC.**

2801 South Towne Avenue, Pomona, California 91766

Tel: (800) 999-8899 Fax: (626) 961-9966

**[www.impex-fitness.com](http://www.impex-fitness.com)**

**[info@impex-fitness.com](mailto:info@impex-fitness.com)**